

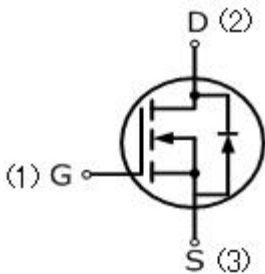


MIC-IRF740

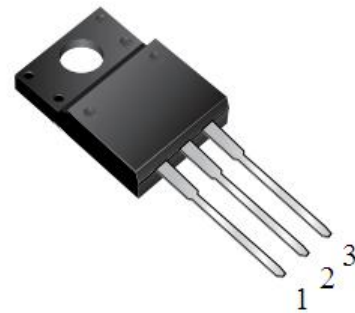
12 Amps, 500 Volts N-CHANNEL MOSFET

FEATURE

- 12A, 500V, $R_{DS(ON)MAX}=0.5 \Omega @V_{GS}=10V/6A$
- Low gate charge
- Low C_{iss}
- Fast switching
- 100% avalanche tested
- Improved dv/dt capability



TO-220TF



Absolute Maximum Ratings ($T_C=25^\circ\text{C}$, unless otherwise noted)

Parameter	Symbol	MIC-IRF740	UNIT
Drain-Source Voltage	V_{DSS}	500	V
Gate-Source Voltage	V_{GSS}	± 30	
Continuous Drain Current	I_D	12	A
Pulsed Drain Current (Note 1)	I_{DM}	48	
Single Pulse Avalanche Energy (Note 2)	E_{AS}	840	mJ
Reverse Diode dv/dt (Note 3)	dv/dt	5	V/ns
Operating Junction and Storage Temperature Range	T_J, T_{STG}	-55 to +150	$^\circ\text{C}$
Maximum lead temperature for soldering purposes, 1/8" from case for 5 seconds	T_L	260	$^\circ\text{C}$
Mounting Torque	6-32 or M3 screw	10	lbf • in
		1.1	N • m

Parameter	Symbol	MIC-IRF740	Units
Thermal resistance, Channel to Case	$R_{th(ch-c)}$	2.08	$^\circ\text{C}/\text{W}$
Thermal resistance, Channel to Ambient	$R_{th(ch-a)}$	100	$^\circ\text{C}/\text{W}$
Maximum Power Dissipation	P_D	60	W



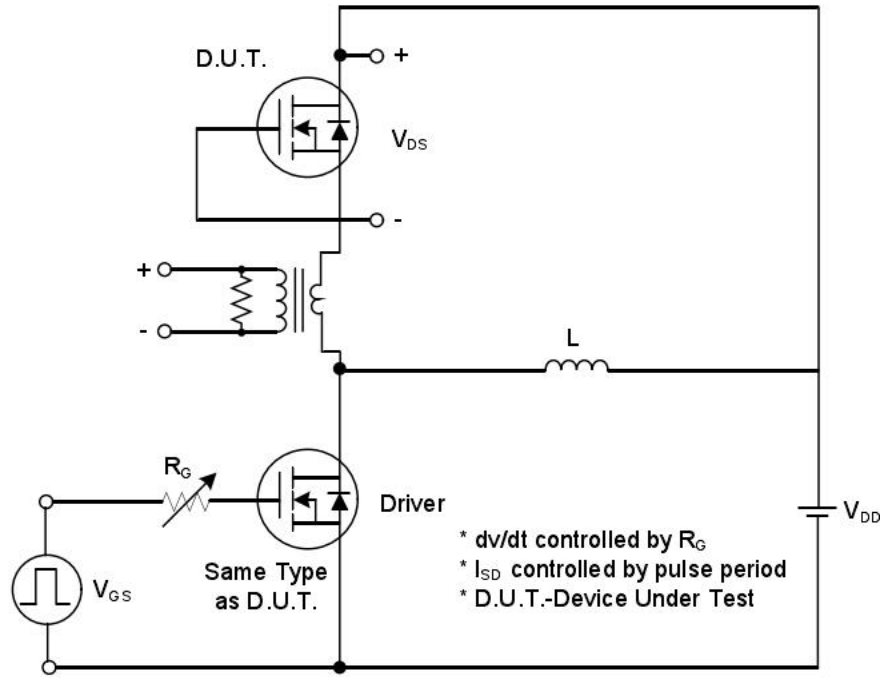
Electrical Characteristics ($T_c=25^\circ\text{C}$, unless otherwise noted)						
Parameter	Symbol	Test Conditions	Min	Typ	Max	Units
Off Characteristics						
Drain-Source Breakdown Voltage	BV_{DSS}	$V_{GS}=0V, I_D=250\mu\text{A}$	500	—	—	V
Zero Gate Voltage Drain Current	I_{DSS}	$V_{DS}=500V, V_{GS}=0V$	—	—	1	μA
Gate-Body Leakage Current, Forward	I_{GSSF}	$V_{GS}=30V, V_{DS}=0V$	—	—	100	nA
Gate-Body Leakage Current, Reverse	I_{GSSR}	$V_{GS}=-30V, V_{DS}=0V$	—	—	-100	nA
On Characteristics						
Gate-Source Threshold Voltage	$V_{GS(th)}$	$V_{DS}=V_{GS}, I_D=250\mu\text{A}$	2	—	4	V
Drain-Source On-State Resistance	$R_{DS(on)}$	$V_{GS}=10V, I_D=6A$	—	0.4	0.5	Ω
Dynamic Characteristics						
Input Capacitance	C_{iss}	$V_{DS}=25V, V_{GS}=0V,$ $f=1.0\text{MHz}$	—	1957	—	pF
Output Capacitance	C_{oss}		—	195	—	pF
Reverse Transfer Capacitance	C_{rss}		—	11	—	pF
Switching Characteristics						
Turn-On Delay Time	$t_{d(on)}$	$V_{DD}=250V, I_D=12A,$ $R_G=10\Omega, V_{GS}=10V,$ (Note3,4)	—	28	—	ns
Turn-On Rise Time	t_r		—	21	—	ns
Turn-Off Delay Time	$t_{d(off)}$		—	62	—	ns
Turn-Off Fall Time	t_f		—	32	—	ns
Total Gate Charge	Q_g	$V_{DS}=400V, I_D=12A,$ $V_{GS}=10V$ (Note3,4)	—	40	—	nC
Gate-Source Charge	Q_{gs}		—	9.2	—	nC
Gate-Drain Charge	Q_{gd}		—	14	—	nC
Drain-Source Body Diode Characteristics and Maximum Ratings						
Continuous Diode Forward Current	I_S		—	—	13	A
Pulsed Diode Forward Current	I_{SM}		—	—	52	A
Diode Forward Voltage	V_{SD}	$I_S=12A, V_{GS}=0V$	—	—	1.5	V
Reverse Recovery Time	t_{rr}	$V_{GS}=0V, I_S=12A, T_J=25^\circ\text{C}$	—	555	—	ns
Reverse Recovery Charge	Q_{rr}	$dI_F/dt=100A/\mu\text{s},$ (Note4)	—	4.55	—	μC

Notes

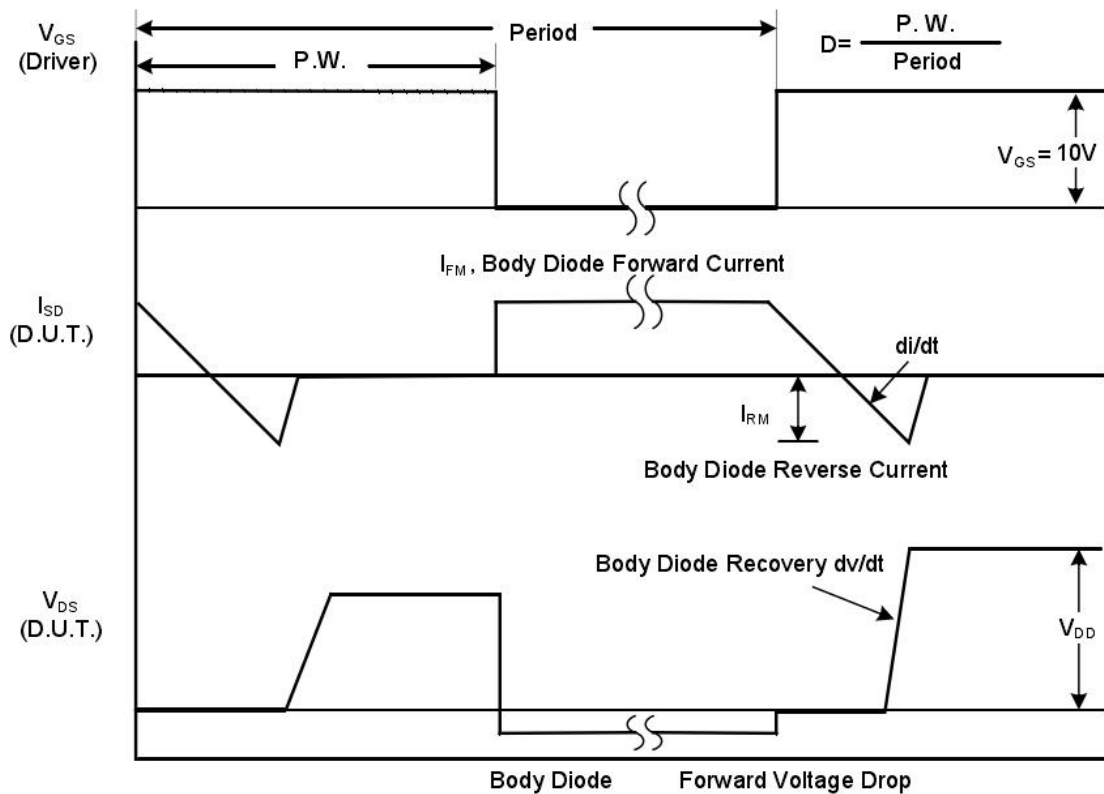
1. Repetitive Rating; pulse width limited by maximum junction temperature.
2. $L=10\text{mH}, I_D=13A$, starting $T_J=25^\circ\text{C}$.
3. $I_{SD}=12A, dI/dt \leq 100A/\mu\text{s}, V_{DD} \leq BV_{DSS}$, starting $T_J=25^\circ\text{C}$, Pulse width $\leq 300\mu\text{s}$; duty cycle $\leq 2\%$.
4. Repetitive rating; pulse width limited by maximum junction temperature.



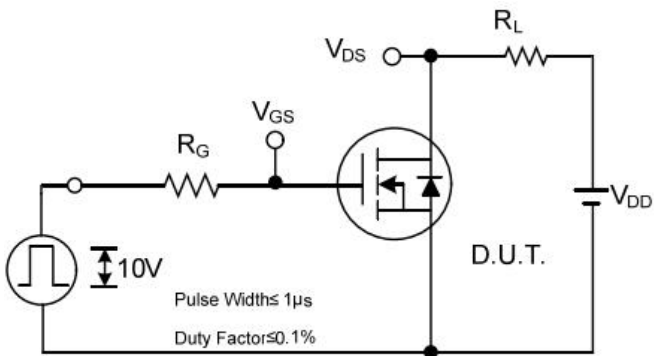
TEST CIRCUIT AND WAVEFORM



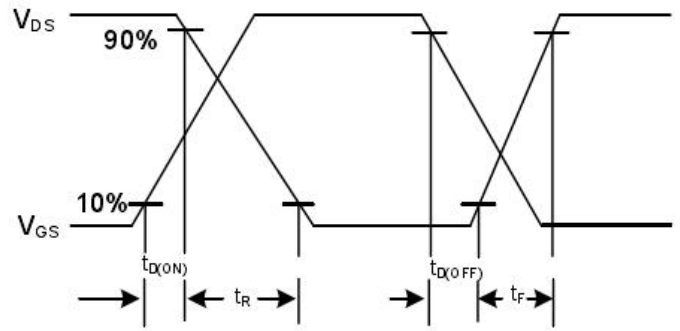
Peak Diode Recovery dv/dt Test Circuit



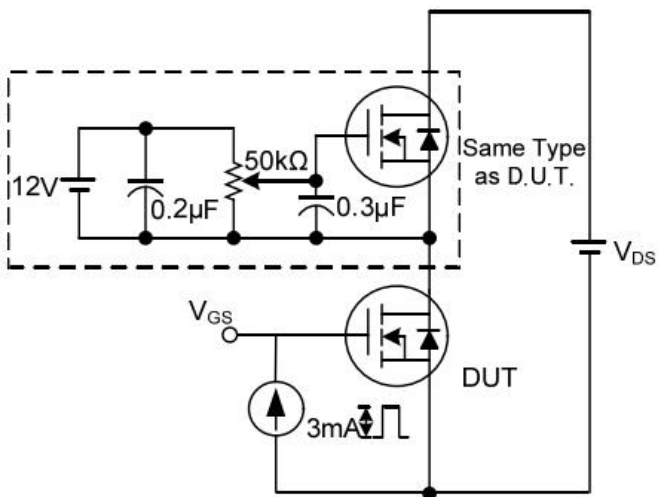
Peak Diode Recovery dv/dt Waveforms



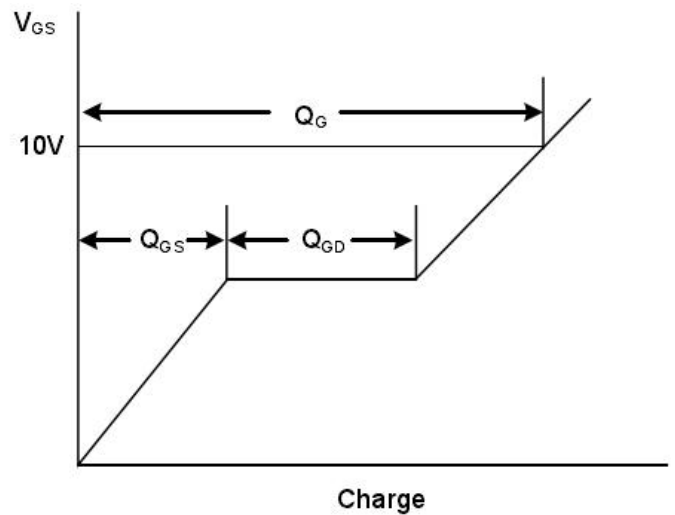
Switching Test Circuit



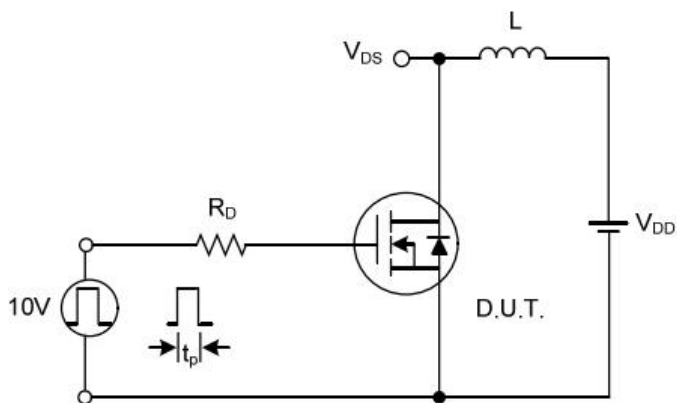
Switching Waveforms



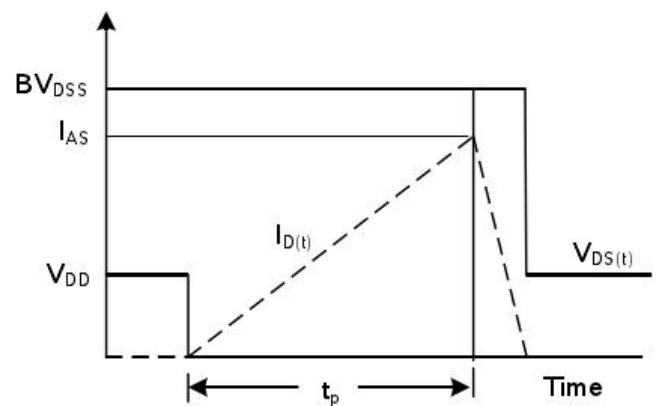
Gate Charge Test Circuit



Gate Charge Waveform



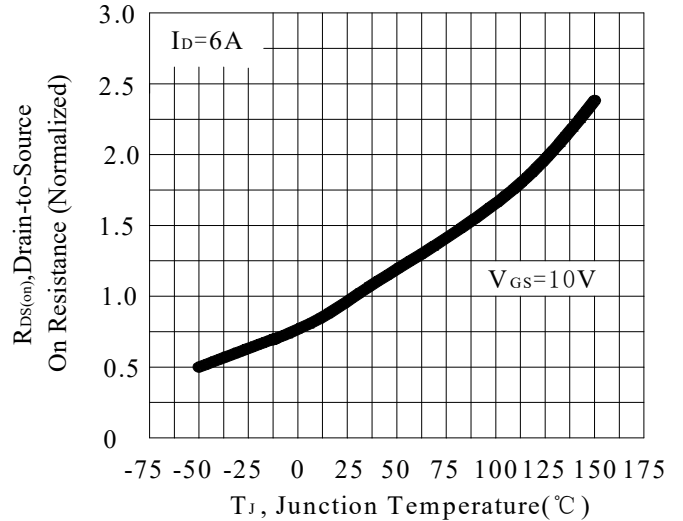
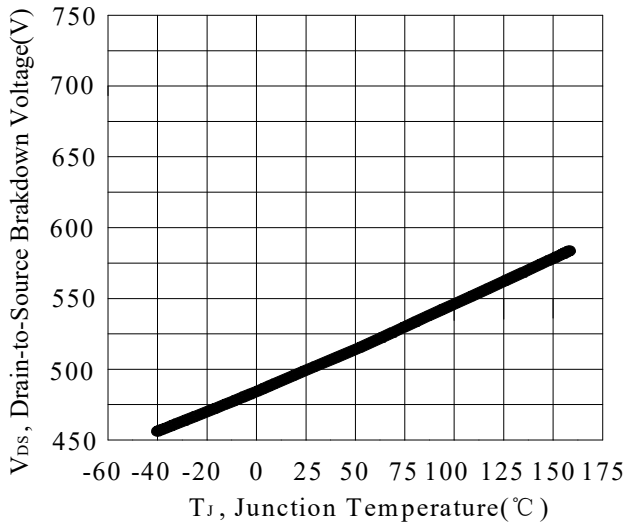
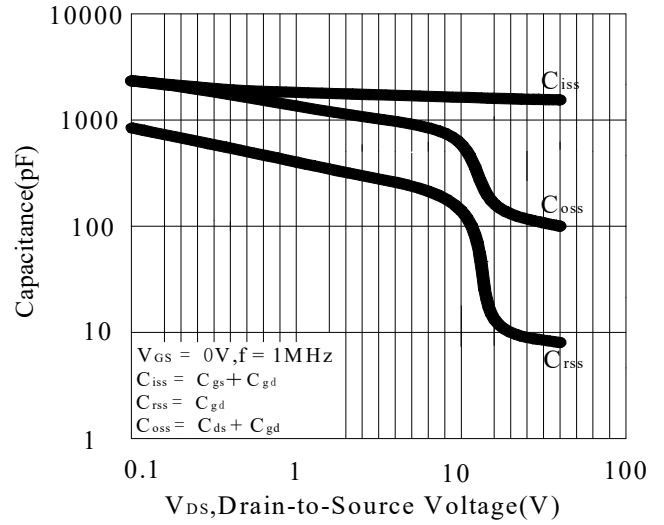
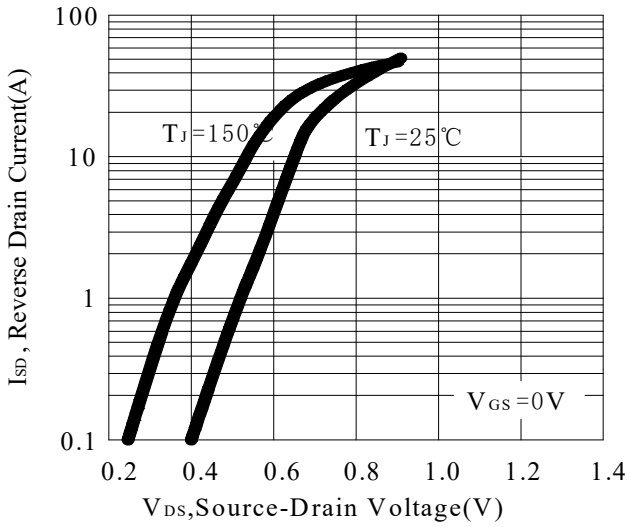
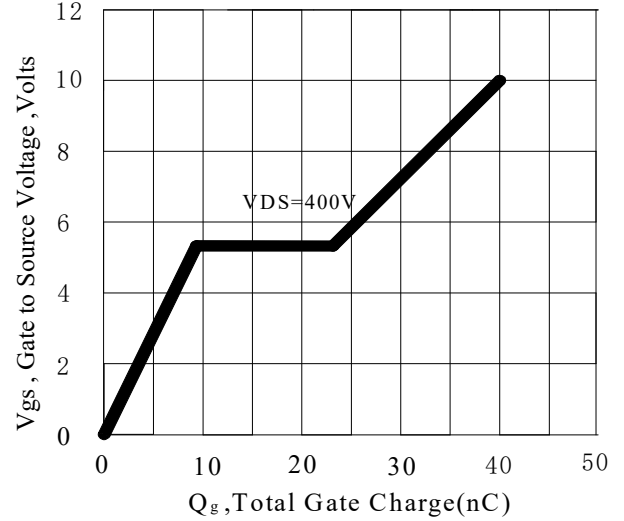
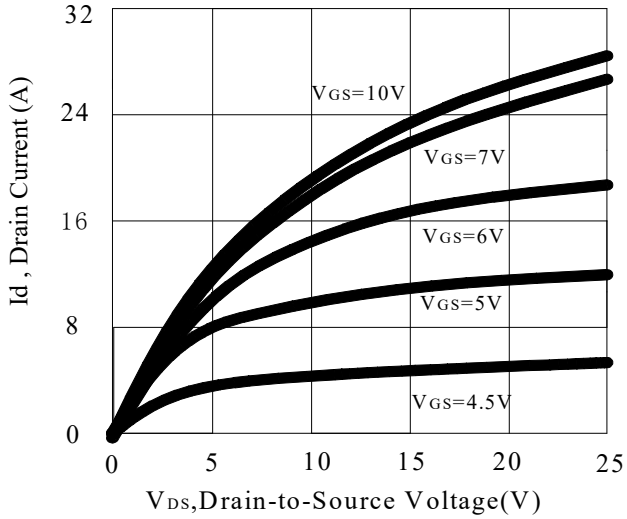
Unclamped Inductive Switching Test Circuit

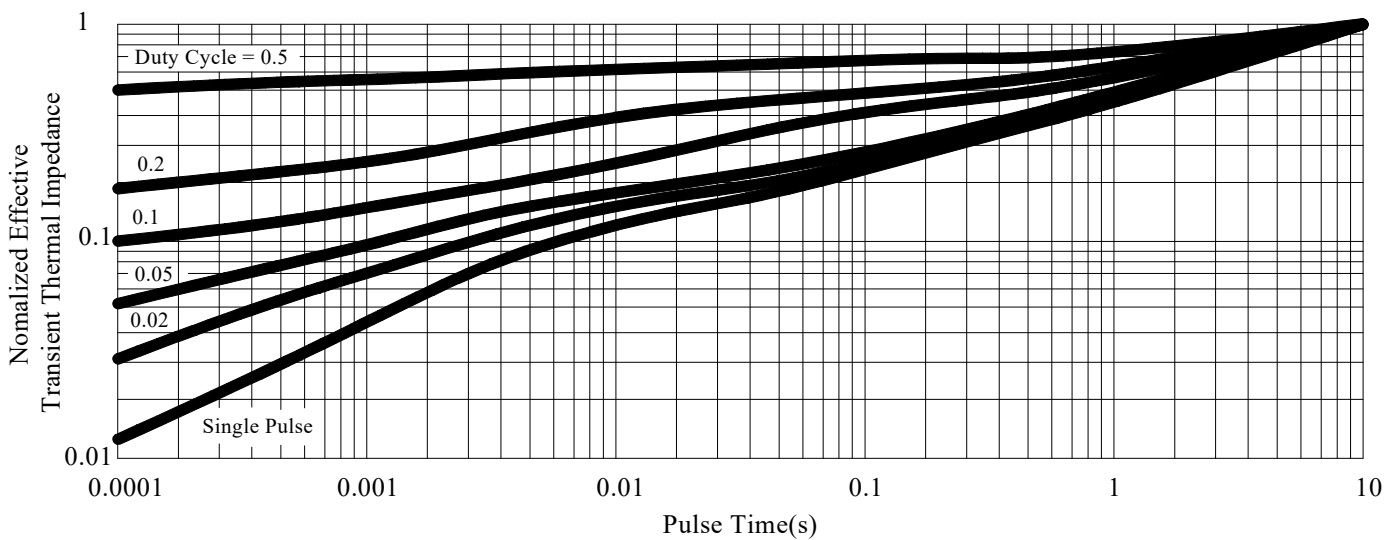
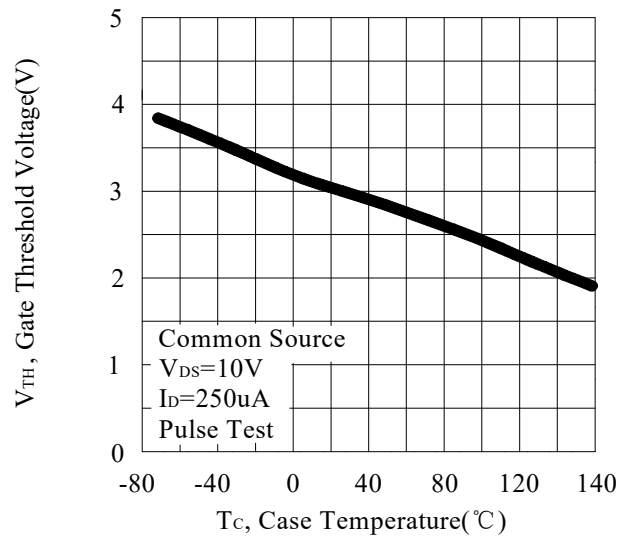
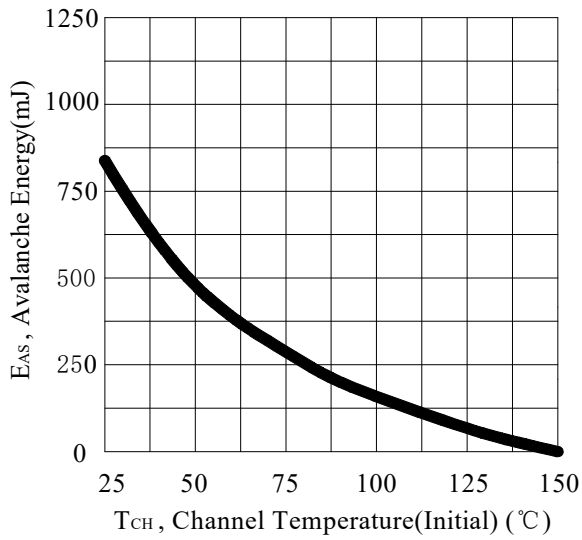
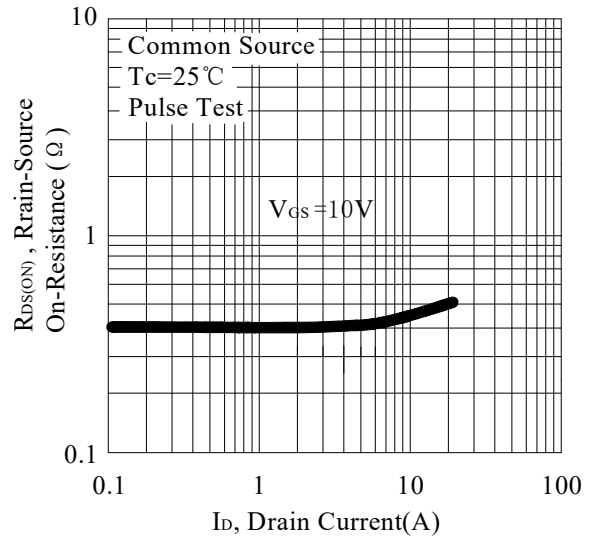
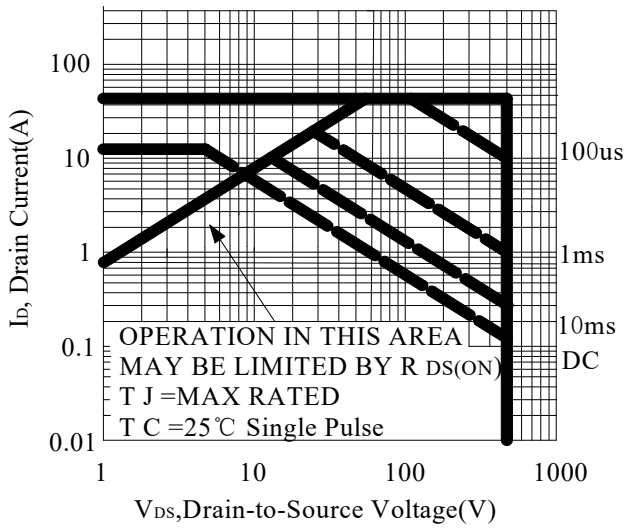


Unclamped Inductive Switching Waveforms



RATING AND CHARACTERISTIC CURVES

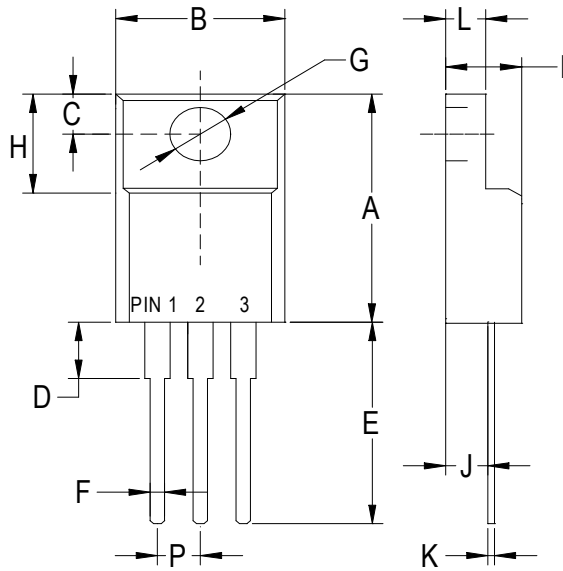






PACKAGE OUTLINE DIMENSIONS

TO-220TF



TO-220TF		
Dim	Min	Max
A	.590 (15.0)	.650 (16.5)
B	.393 (10.0)	.414 (10.5)
C	.118 (3.00)	.138 (3.50)
D	.118 (3.00)	.146 (3.70)
E	.512 (13.0)	.551 (14.0)
F	.028 (0.70)	.035 (0.90)
G	.114 (2.90)	.138 (3.50)
H	.255 (6.50)	.280 (7.10)
I	.173 (4.40)	.197 (5.00)
J	.102 (2.60)	.110 (2.80)
K	.018 (0.45)	.026 (0.65)
L	.092 (2.35)	.109 (2.75)
P	.890 (2.25)	.113 (2.85)